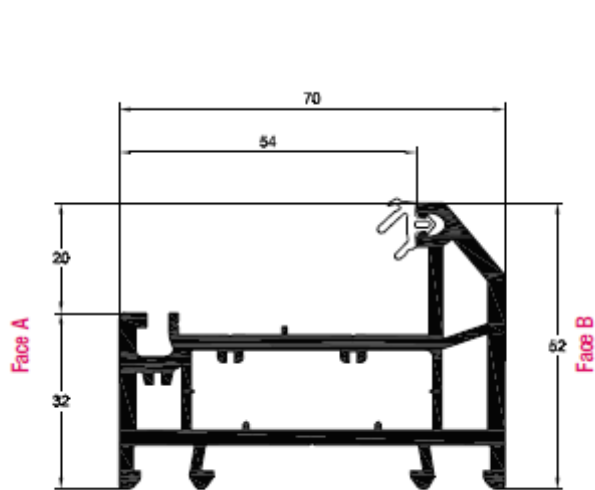
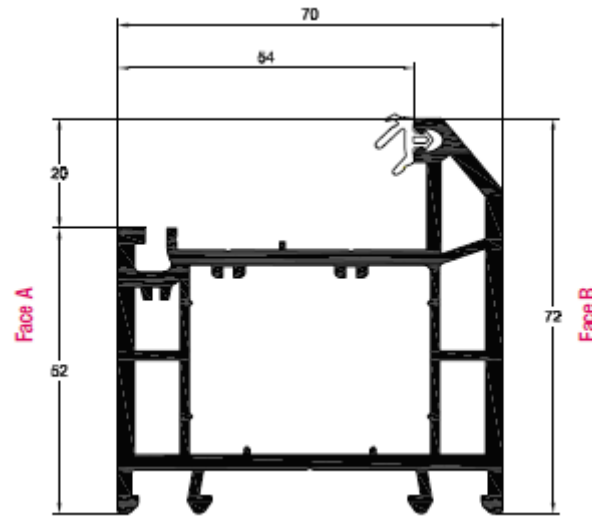


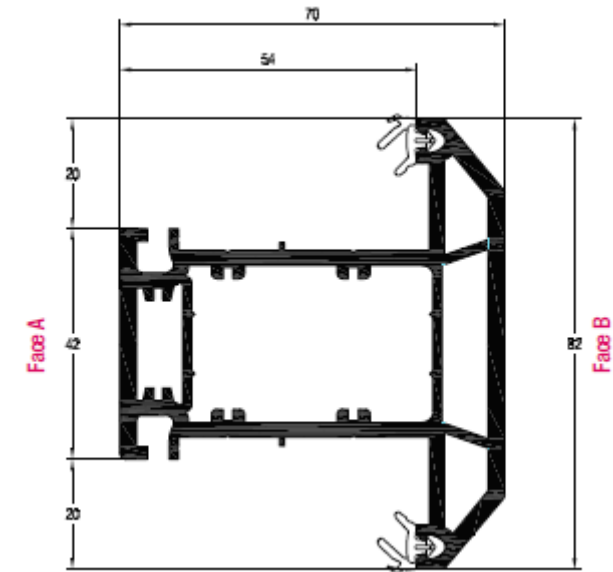
## Main Profiles



Slim Frame



Large Frame



Transom / Mullion

The above profiles have all been assessed within Hart & Co's fire test. Intumescent material is not shown on this drawing but forms an integral part of your finished frames